

www.triplex.no

TRIPLEX
by MacGregor

Deck equipment for fishery vessels



MACGREGOR

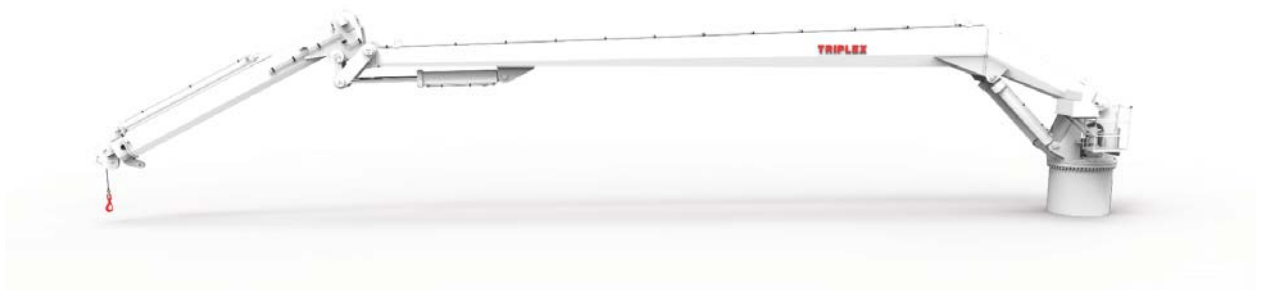


Deck equipment for fishery vessels



TRIPLEX, a MacGregor company, is a major supplier of equipment to the fishing fleet. The company is a trendsetter, and famous for its Triplex net hauling equipment. Quality and an excellent reputation have resulted in that Triplex products are sold worldwide.

Indoor net handling
Net cranes
Net winches
Deck cranes
Cork line stackers
Sink line stackers
Intermediate rollers
Ring needles

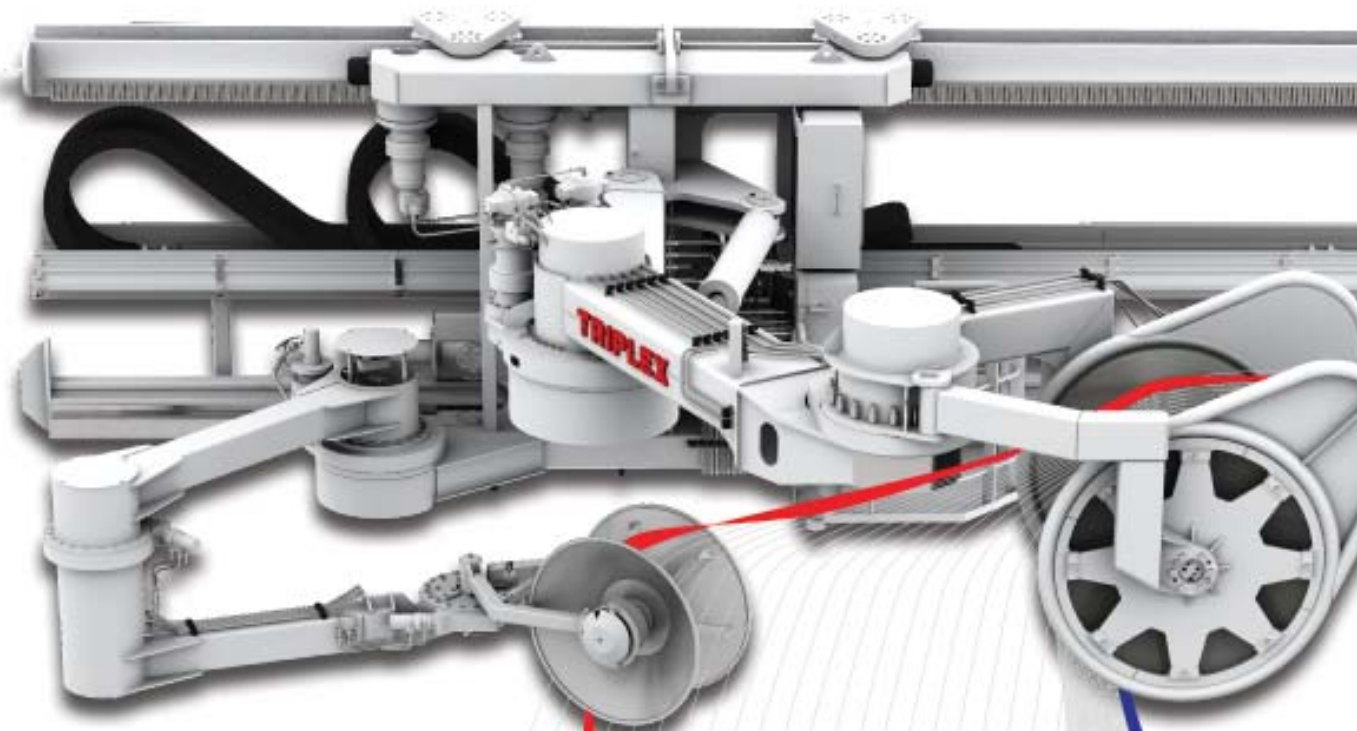


Indoor net handling

A crew-efficient, safe and profitable investment

The TRIPLEX Net Hauling System was launched in the mid-sixties and revolutionized purse seine fishing in many areas of the world. The system has since been developed with several new models and sizes, but the unique principle, with three rollers hauling the net simultaneously, remain the same today as when it was designed back in 1964.

Several related and auxiliary products have been developed to complement the TRIPLEX net handling system. All TRIPLEX equipment can be supplied for either starboard or port side installation and is adaptable to fixed or variable pumping systems.



Cork line stacker

References: FV "Libas"
FV "Eros"
FV "Kings Bay"
FV "Smaragd"

New generation of indoor net handling system

Remotely controlled by two people outside the net bin.

Nobody is required inside the net bin.

Much easier installation.

Pat. no: 320038 - Norway

Intermediate roller Press roller

Intermediate Roller, with hydraulic operated Press Roller, to increase traction without slippage.



Net crane

Net Crane and Corkline Stacker sliding along the side bulkhead on a vertical mounted trolley.



Sink line stacker

Sinkline Stacker mounted on a telescopic arm with a wide operation area.

Net cranes

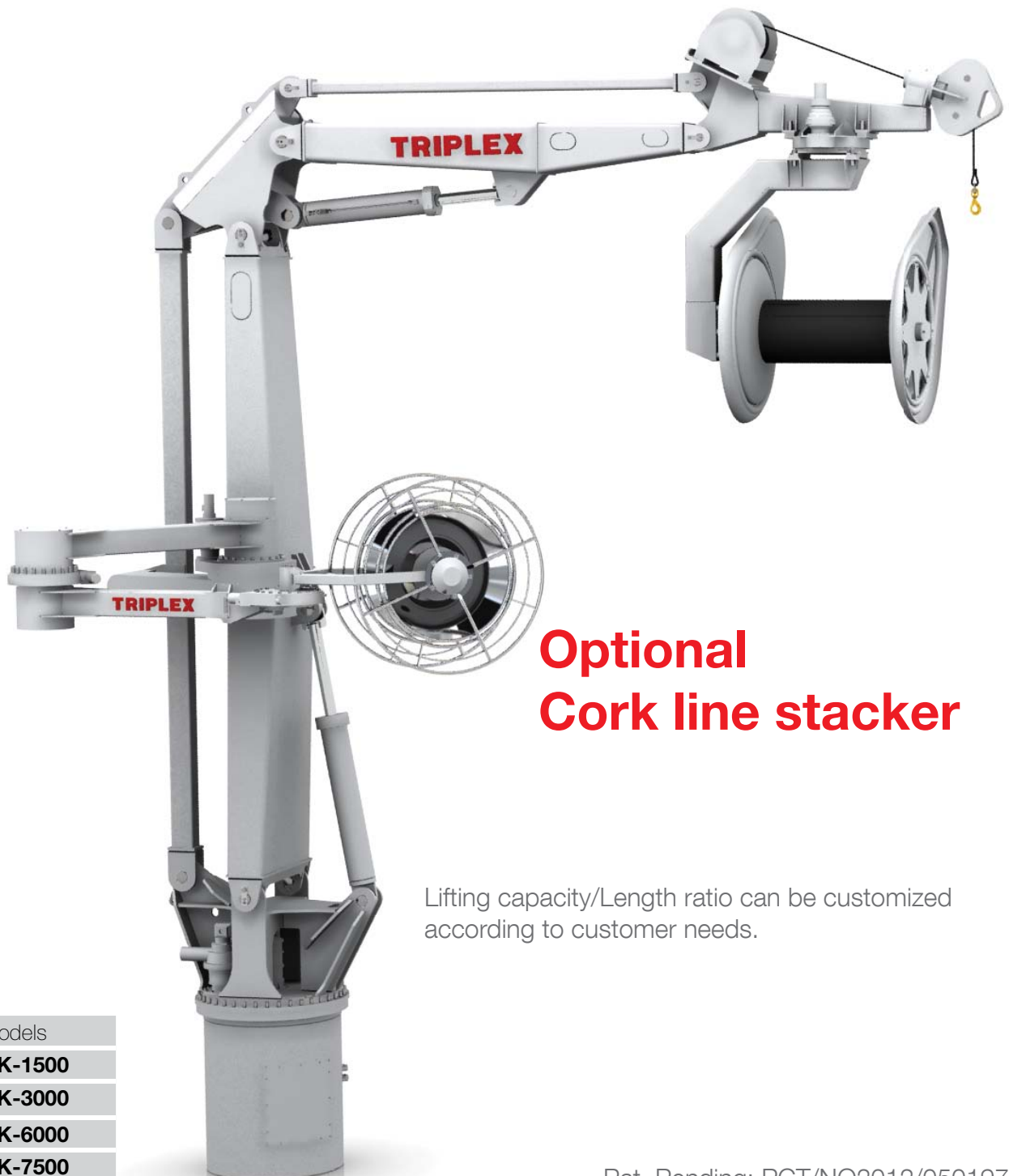
TRIPLEX NK-SERIES

Triplex Net Cranes simplify the work in the net bin with less crew.

Triplex Net Cranes are primarily designed and intended for stacking purse nets, but can also be fitted with a winch and used as conventional cranes, for example when handling trawling gears.

Triplex Net Cranes are manufactured in a variety of sizes and are supplied fully adapted to suit individual vessels.

Net Cranes have a long reach and can cover a wide area. Is supplied with various controls and can be synchronous with associated equipment.



Optional Cork line stacker

Lifting capacity/Length ratio can be customized according to customer needs.

Models

NK-1500

NK-3000

NK-6000

NK-7500

Pat. Pending: PCT/NO2012/050197

Net winches

Triples Net Winches are supplied in a variety of sizes with hauling power from 6 – 50 tons. Maximum grip on the net, cork and lead lines achieved as the net is hauled by three rollers simultaneously. Low-level installation also provides excellent stability compared to other systems.

- Hauls the net with full power and full speed simultaneously
- Center roller offset, improves net traction area
- Provides an effective and steady pull on the net and cork line
- Equal distribution of hauling power over the greater length and full width of the net
- Causes a minimal wear on the net.
- Special tilt feature make drying operation simple and safe
- All gear wheels, pinions and bearings are running in oil-bath
- Cylinder rods, pipes and all pins in stainless steel.
- Independent hydraulically or mechanical declutching of aft roller (optional)
- Separate outer shields make roller replacement easier.
- Minimal deck area required
- Available for either starboard or port side installation



Models

NW-525/300

NW-603/360

NW-740/425

NW-840/500

NW-850/500

NW-920/500

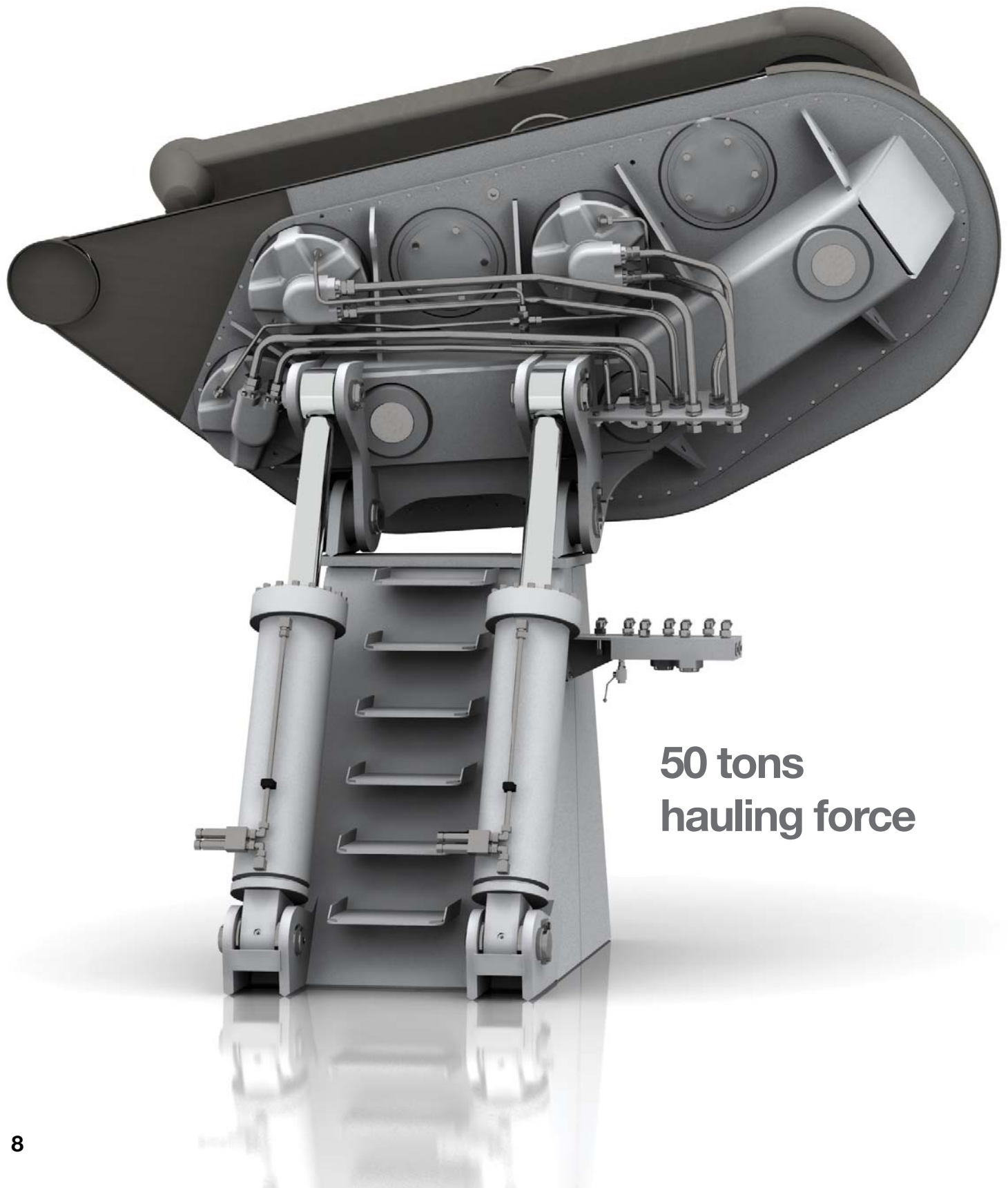
NW-1020/600

Net winches

TRIPLEX NW-1020/600

The world's largest and most powerful Net Winch

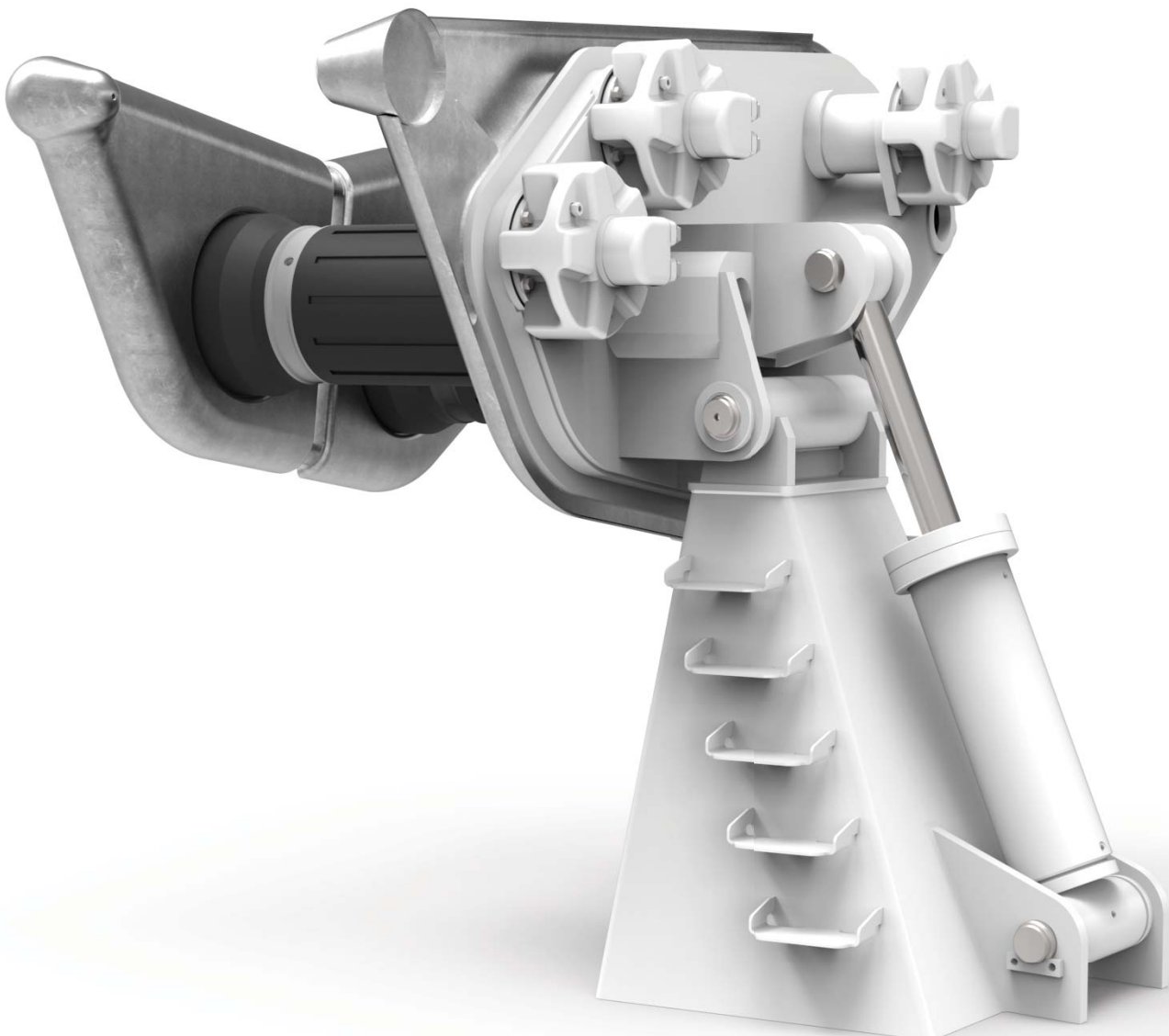
New appropriate design ensures gentle handling of purse seines in combination with optimal performance.



**50 tons
hauling force**

TRIPLEX NW-920/500

**Over 20% increased space between the rollers.
Hauling power from 25 - 40 tons.**



Telescopic deck cranes

TRIPLEX TK & TKN-SERIES



Models

TKN-30

TKN-50

TKN-60

TKN-75

TKN-100

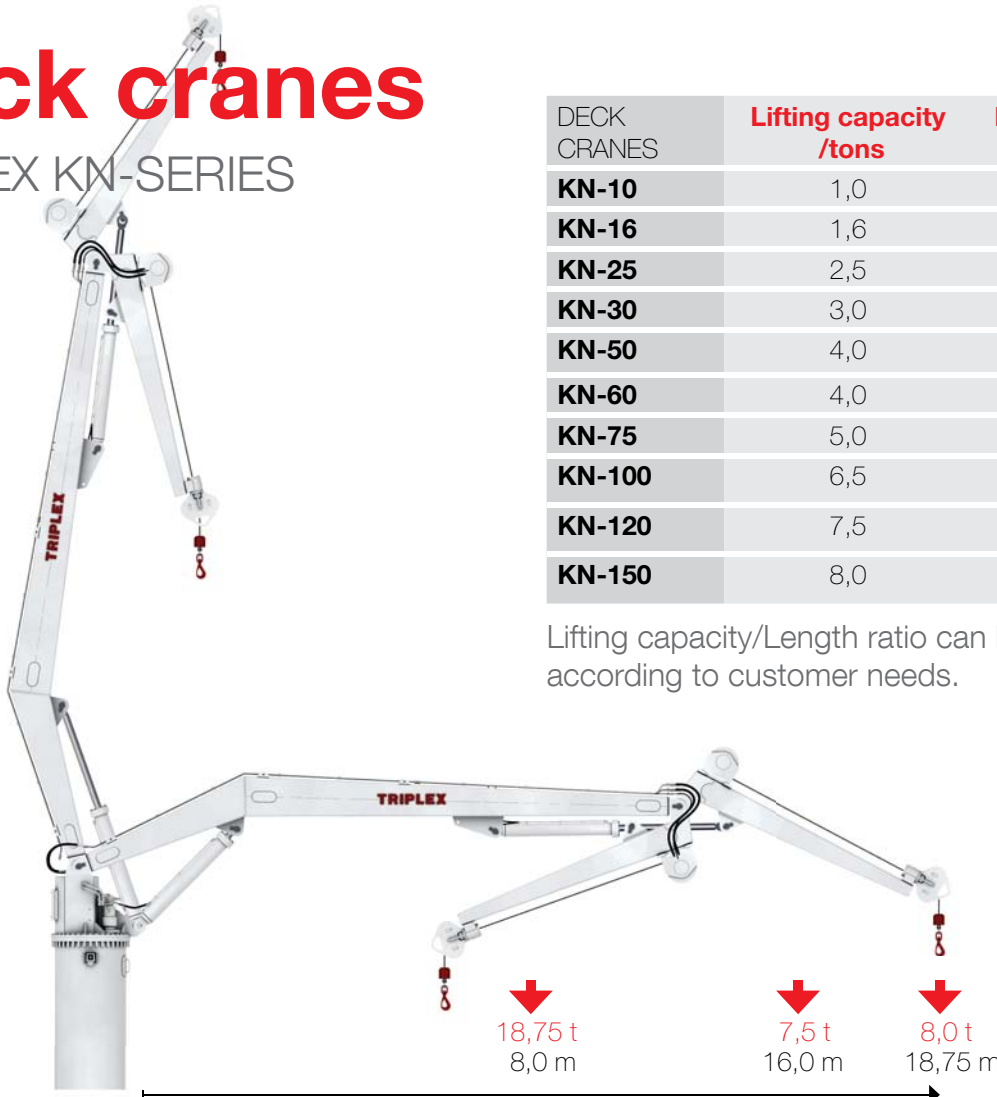
TKN-120

TKN-150

Lifting capacity/Length ratio can be customized according to customer needs.

Deck cranes

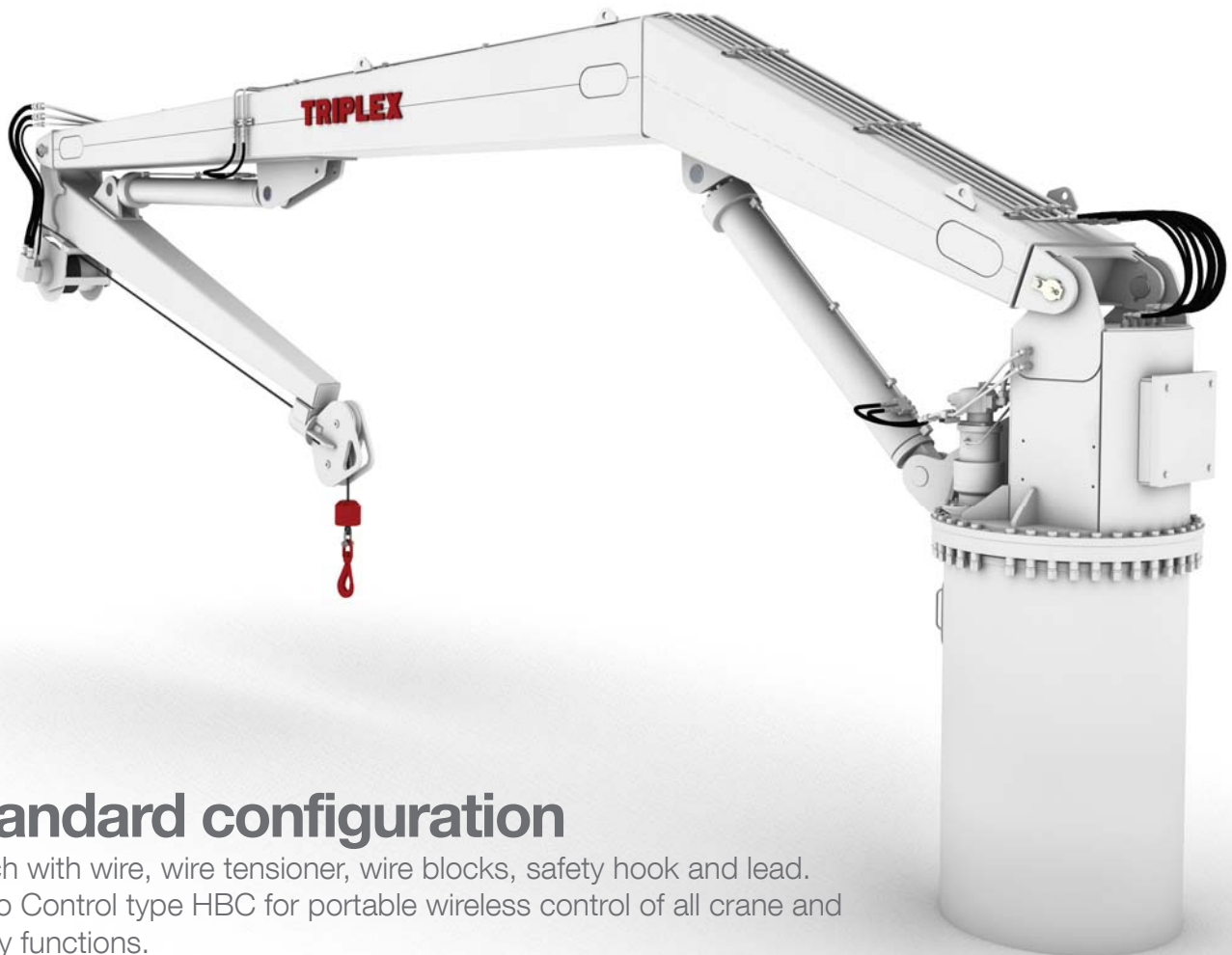
TRIPLEX KN-SERIES



DECK CRANES	Lifting capacity /tons	Reaching lenght /meters
KN-10	1,0	10
KN-16	1,6	10
KN-25	2,5	10
KN-30	3,0	10
KN-50	4,0	12
KN-60	4,0	15
KN-75	5,0	15
KN-100	6,5	15,5
KN-120	7,5	16
KN-150	8,0	18,75

Lifting capacity/Length ratio can be customized according to customer needs.

Tripdex deck cranes can have both reach and lifting capacity custom made to suit each individual vessel.



Standard configuration

Winch with wire, wire tensioner, wire blocks, safety hook and lead.
Radio Control type HBC for portable wireless control of all crane and trolley functions.

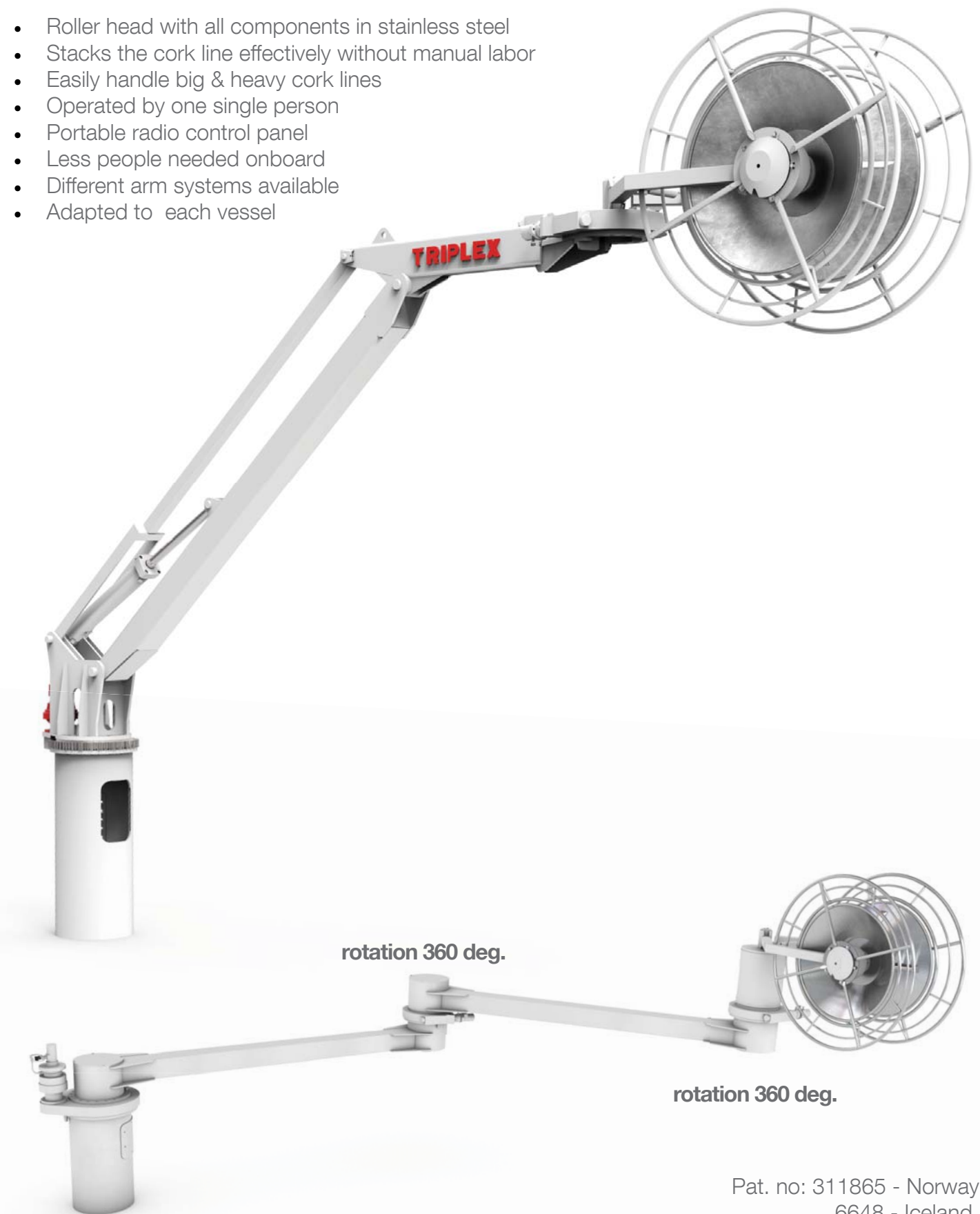
Cylinder piston rods, bolts and high pressure pipes in seawater resistance stainless steel.

Crane, pedestal and trolley delivered sandblasted, primed and epoxy painted. (metallizing is optional)

Cork line stackers

TRIPLEX FL | FLU & FLH-SERIES

- Roller head with all components in stainless steel
- Stacks the cork line effectively without manual labor
- Easily handle big & heavy cork lines
- Operated by one single person
- Portable radio control panel
- Less people needed onboard
- Different arm systems available
- Adapted to each vessel



rotation 360 deg.

rotation 360 deg.

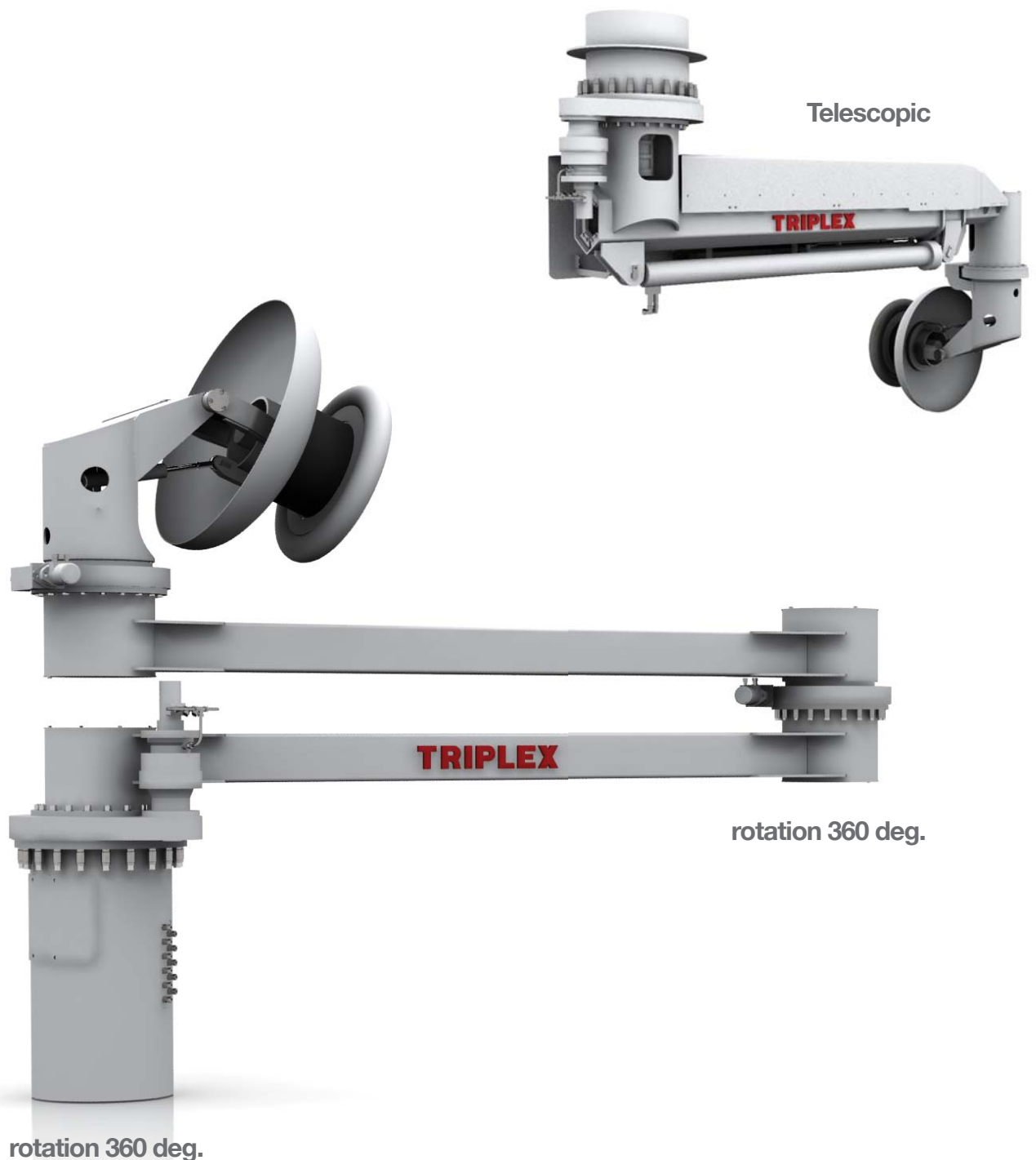
rotation 360 deg.

Pat. no: 311865 - Norway
6648 - Iceland
1292188 - Spain
1292188 - France

Sink line stackers

TRIPLEX GL-SERIES

- Simple, robust and “clean design”
- Separates and laying the sink line without manual labor
- Easy to control



Intermediate rollers

TRIPLEX TR-SERIES

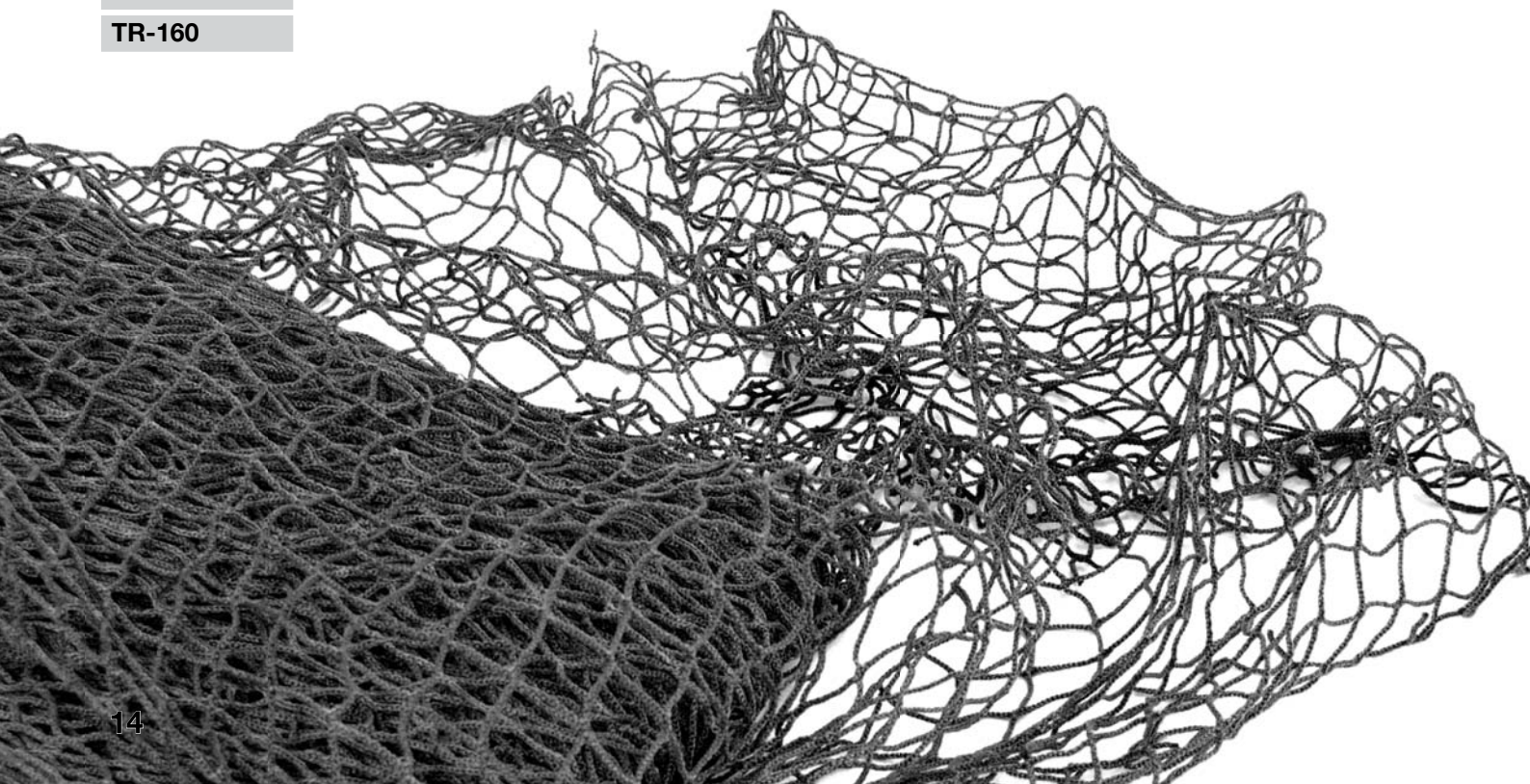


Models

TR-73

TR-123

TR-160



Ring needles

TRIPLEX RN-SERIES

Models

RN-60

RN-75

RN-85



Wherever needed, you can rely on our support.



MacGregor is the world's leading brand of engineering solutions and services for handling marine cargoes and offshore loads. MacGregor products serve the maritime transportation, offshore and naval logistics markets, in ports and terminals as well as on board ships. Our cargo flow solutions integrate cargo access, stowage, care and handling functions to suit a particular ship's cargo profile. This benefits its productivity, environmental impact and profitable service lifetime. www.macgregor.com



MacGregor is part of Cargotec. Cargotec's class B shares are quoted on NASDAQ OMX Helsinki.

www.triplex.no

TRIPLEX

by MacGregor

For the roughest conditions

TRIPLEX AS
Henda, N-6530 Averøy | Norway

Phone: +47 71 51 39 00
Fax: +47 71 51 39 01
e-mail: post@triplex.no

Hotline: +47 715 13 900

Org. number: 976 091 698

TRIPLEX Patent nr.:
325335 | GB2398062 | 331673
20100245 | US D644,403 S
BR-DI7005299-9 | PCT/NO2011/000316

Sales Manager | Fishery & Research Projects
Johnny Valle

johnny.valle@macgregor.com
+47 92 82 65 83 | mobile
+47 71 51 39 23 | office direct

Sales & Service
Asgeir Ellingvåg

asgeir.ellingvag@macgregor.com
+47 71 51 39 49 | office direct