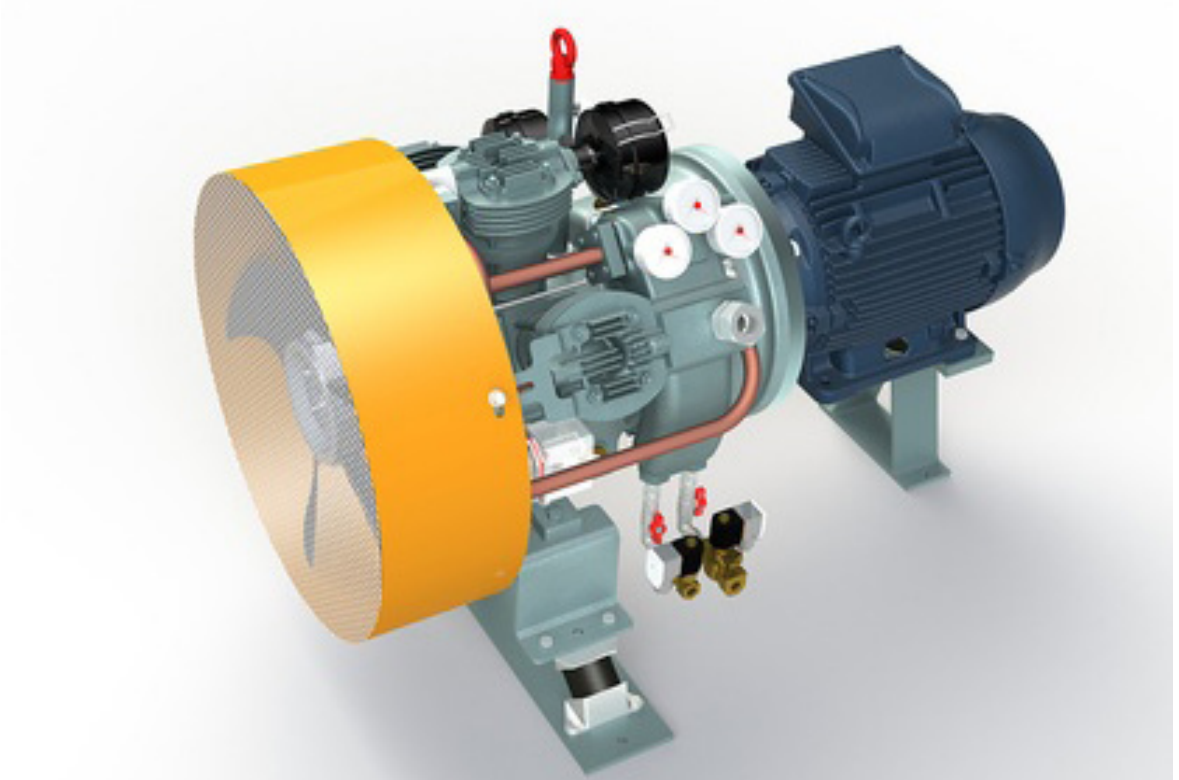


# Compressor

HATLAPA Air-cooled piston compressor VA60, VA75



## Structural features

- Two staged, three cylinders in 60° W-arrangement, with one-throw crankshaft, single acting trunk pistons
  - 1st stage: 2 cylinders
  - 2nd stage: 1 cylinder

## Valves

- Combined suction and pressure valves for both stages

## Air cooling

- By axial fan directly driven by the crankshaft

## Intercooler and aftercooler

- Finned pipes

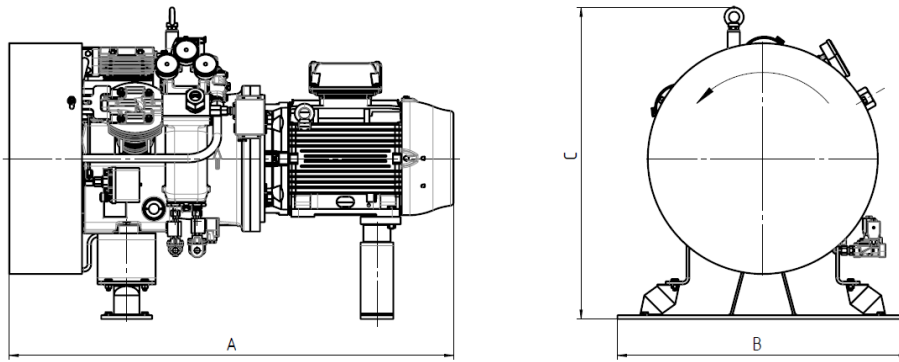
## Force feed lubrication

- Gear pump directly driven by the crankshaft
- Oil pressure control by means of pressure gauge and pressure switch
- Oil level inspection glass
- Crankcase venting from oil filler to air suction filter

## Bearings

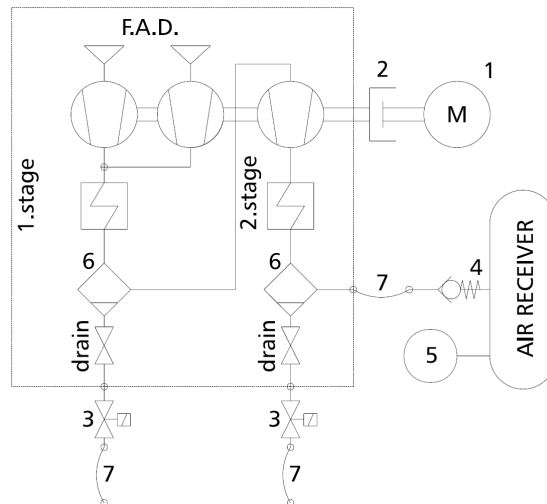
- Crankshaft: slide bearings
- Connecting rod: slide bearings
- Wrist pin: 1st stage plain bearing bush  
2nd stage needle bearings

# Technical data



Type	Cylinders	Stage	Speed r.p.m.	FAD (m <sup>3</sup> /h)	Power (kW)	Weight incl. e-motor approx. kg	Dimensions		
							A	B	C
VA60	3	2	1150	39.5	8.1	400	1125	800	855
			1450	50	10.8	400	1125	800	855
			1750	60	13.7	400	1125	800	855
VA75	3	2	1150	48	9.5	400	1275	800	930
			1450	62.5	12.7	400	1275	800	930
			1750	75.5	15.7	400	1275	800	930

All data apply to a final pressure of 30 bar. The right for alteration of specification and data to incorporate improvements in design is reserved.



MacGregor shapes the offshore and marine industries by offering world-leading engineering solutions and services with a strong portfolio of MacGregor, Hatlapa, Porsgrunn, Pusnes and Triplex brands.

MacGregor is part of Cargotec (Nasdaq Helsinki: CGCBV).

Published by MacGregor. Copyright © MacGregor October 2017. All rights reserved. No part of this publication may be reproduced, stored, photocopied, recorded or transmitted without permission of the copyright owner.

**MacGregor Germany GmbH & Co. KG**

hatlapa.info@macgregor.com

www.macgregor.com

