

Crane Load Calculator

Provides a visualisation of the crane position and lifting capabilities

Traditionally, when considering taking on an assignment, the operation planning team is using load charts and manual calculations to determine whether the operation can be executed.

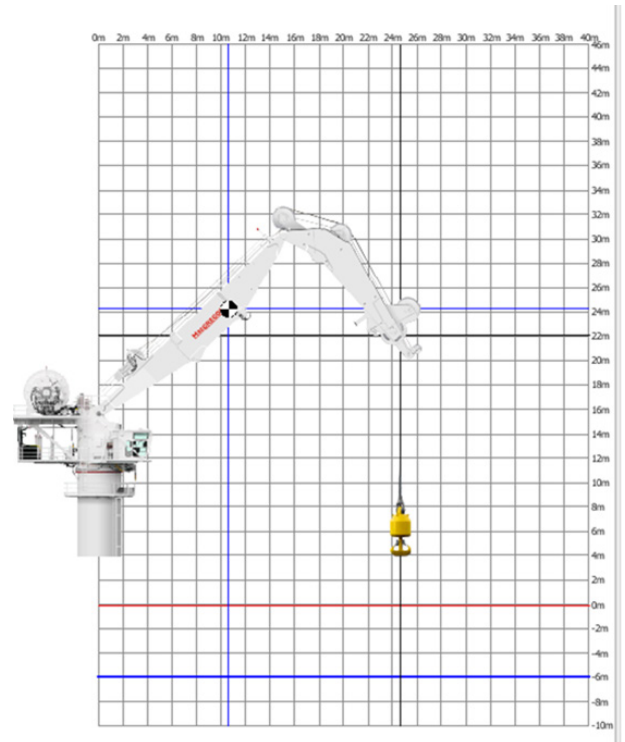
It is not easy to take into consideration all crane joints, reach and lifting height, at the same time checking that the crane SWL is not exceeded.

Additionally, for subsea lifts at greater depth, the object buoyancy and wire weight make a big impact on the crane lifting capacity and have to be calculated manually.

The Crane Load Calculator application supports planning of crane operations. It provides a visualisation of the crane position and centre of gravity, taking into account the crane mode, load, and the length of wire paid out. The calculator is delivered with relevant attributes and load calculation parameters predefined.

The application may be installed on any Windows PC.

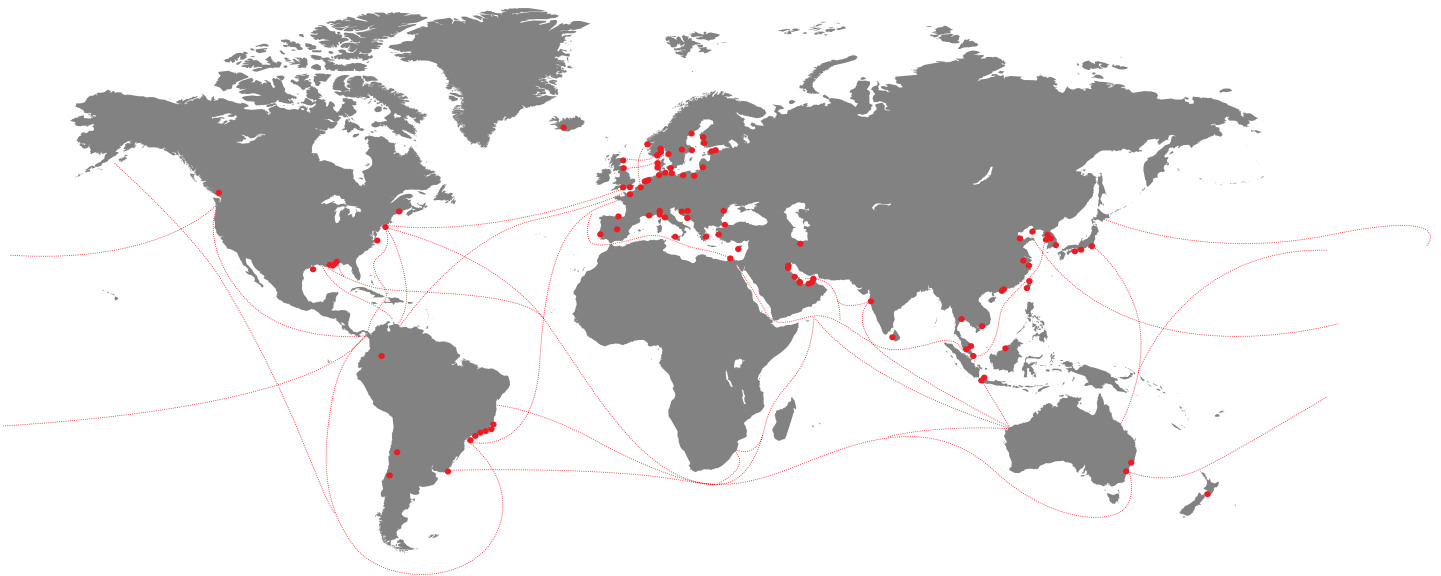
Parameters for any operation may then be entered, and you will get the corresponding load curves and crane view for input to your lifting procedures. The results may be printed.



Maximum load:	49,86t	Center of gravity radius:	10,57m	<input type="checkbox"/> Double part mode
Radius:	24,58m	Center of gravity height:	24,28m	<input type="checkbox"/> Use whip winch
Height:	22,13m	Load weight dry:	0,00t	<input type="radio"/> Harbour/internal lift
Wave height:	1,10m	Load weight wet:	0,00t	<input checked="" type="radio"/> External lift
Main Jib angle[0 - 86] :	44	Total weight (load and wire):	0,22t	<input type="radio"/> Skip to skip lift
Knucle Jib angle[-66 - 51] :	3	Wire out [0 - 500] :	13,00m	<input type="checkbox"/> Dynamic factor

Wherever needed, you can rely on our support.
We serve the following brands globally, and we also serve all others.

- Ankerlökken Marine
- Allset
- ASCA
- Becker
- BMH
- Conver-OSR
- Grampian Hydraulics
- Flintstone
- Greer Marine
- Hamworthy
- Hatlapa
- Hydramarine
- Hägglunds
- Interschalt
- KGW
- KYB - ASCA
- KYB - Kayaba Industries / Navire Cargo Gear
- Luezhoe
- MacGregor
- MacGregor-Conver
- MacGregor-Hägglunds
- MacGregor-Kayaba
- MacGregor-Navire
- Navire Cargo Gear
- Nordströms
- Ozean Service & Reparatur
- Platform Crane Services (PCS)
- Plimsoll
- Pusnes
- Porsgrunn
- Triplex
- Vestnorsk Hydraulikkservice (VNH)



MacGregor shapes the offshore and marine industries by offering world-leading engineering solutions and services with a strong portfolio of MacGregor, Hatlapa, Porsgrunn, Pusnes and Triplex brands. Shipbuilders, owners and operators are able to optimise the lifetime profitability, safety, reliability and environmental sustainability of their operations by working in close cooperation with MacGregor.

MacGregor solutions and services for handling marine cargoes, vessel operations, offshore loads, crude/LNG transfer and offshore mooring are all *designed to perform with the sea*.

MacGregor is part of Cargotec (Nasdaq Helsinki: CGCBV).

Published by MacGregor. Copyright © MacGregor October 2017. All rights reserved. No part of this publication may be reproduced, stored, photocopied, recorded or transmitted without permission of the copyright owner.

At your service

MacGregor Norway AS
krs.service@macgregor.com
www.macgregor.com

