

Winch replacements

New complete solutions with high-speed motors

Technical information CM-127

MacGregor offers a complete solution to replace obsolete CA420-400-type winches with low-speed, high-torque motors. This type of winch is no longer in production and cannot be delivered as a spare part if it breaks down. The same applies for MDA42-type disc brakes.

The modern MacGregor winch replacement consists of a high-speed motor and a planetary gearbox, and is normally available from stock. Some design work is required prior to installation, depending on the crane

control system (cubicle B/CC2000). Hoisting speeds are occasionally reduced; this is investigated on a case-by-case basis.

Advantages

- Upgrade to modern performance standards
- Less expensive, widely available spare parts
- Complete delivery
- Reduced risk/cost for the shipowner
- Proven design



At your service

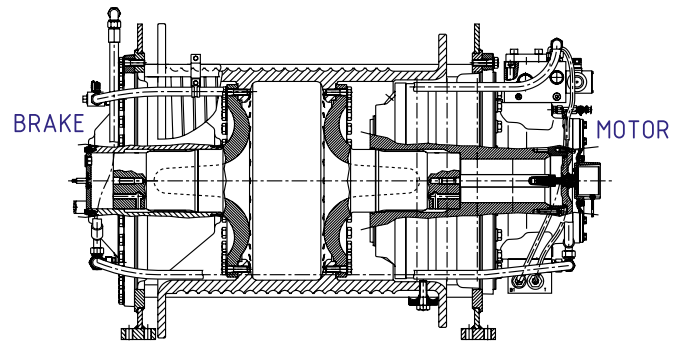
 **MACGREGOR**
Designed to perform with the sea

Scope of delivery

All necessary components are included in the delivery:

- New hoisting winch (2,400kg)
- Screws and washers for securing new winch to crane bottom plate
- New hydraulic A6VM200cc-type motor
- Hydraulic valves for 'brake-opening' and 'flush-unloading'
- Adapter kit for hoisting limit switches box
- Components for modernising hydraulic system including hydraulic hoses, coupling and clamps
- Modification of crane control system: cubicle B requires new electronic adapter card; CC2000 requires system adjustment

Original winch compact CA420-400/MDA42

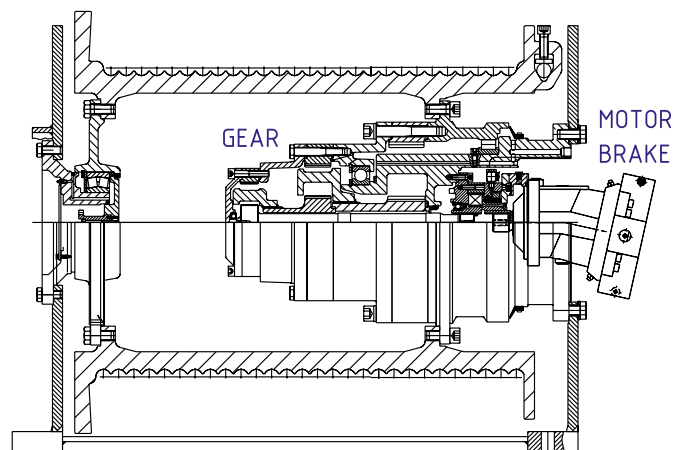


Ordering information

490 5268-801	Cubicle B: IMO 9168582, No.1, s/n 62504451 IMO 9168582, No.2, s/n 62504452 IMO 9168570, No.1, s/n 62504453 IMO 9168570, No.2, s/n 62504454
490 5268-802	Cubicle B: IMO L9155365, No.1, s/n 62504255 IMO L9155377, No.1, s/n 62504257 IMO L9155389, No.1, s/n 62504259 IMO L9155391, No.1, s/n 62504261
490 5268-803	Cubicle B: IMO L9155365, No.2, s/n 62504256 IMO L9155377, No.2, s/n 62504258 IMO L9155389, No.2, s/n 62504260 IMO L9155391, No.2, s/n 62504262
490 7010-801	Cranes with CC2000 control system

Weight: approximately 2,700kg

New winch with gearbox and high-speed motor



MacGregor solutions and services for handling marine cargoes, vessel operations, offshore loads, crude/LNG transfer and offshore mooring are all *designed to perform with the sea*.

MacGregor is part of Cargotec (Nasdaq Helsinki: CGCBV).

Published by MacGregor. Copyright © MacGregor January 2018. All rights reserved. No part of this publication may be reproduced, stored, photocopied, recorded or transmitted without permission of the copyright owner.