

Protection cage

Provides a greater zone of protection and safeguards your crane housing from damage

Technical information CM-105

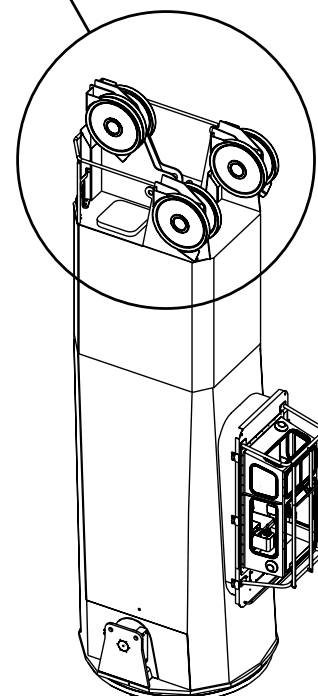
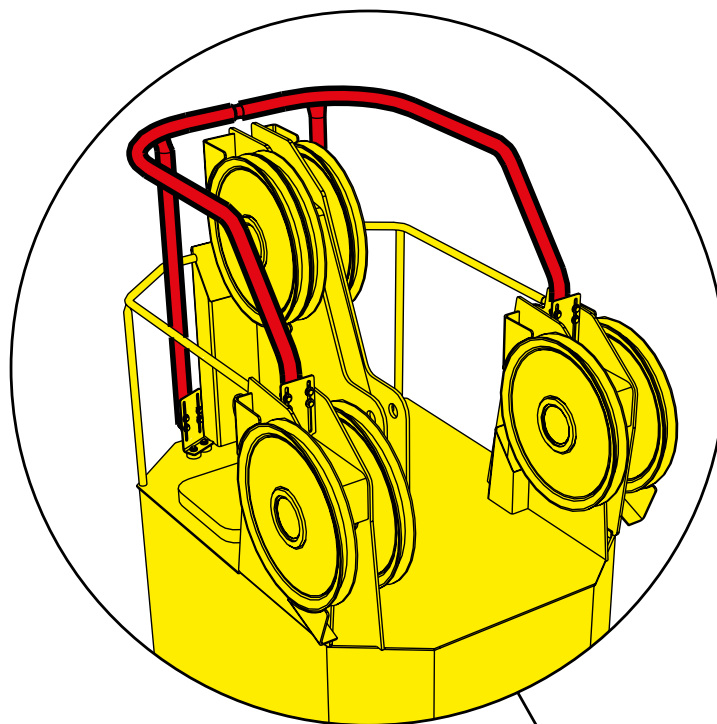
A MacGregor steel-frame protection cage ensures that sensitive components at the top of a shipboard crane housing are protected from accidental damage caused, for example, by direct impact from port gantry cranes.

The protection cage provides a greater zone of protection and increases the probability that a gantry crane driver will detect a potential problem before causing any damage to vital machinery on top of the crane housing.

Damage to wire-rope sheaves and derailment protectors is difficult to detect, and even minor impacts can lead to significant accidents and expensive repair costs. Any damage to the protection cage can easily be detected.

Benefits

- Prevents accidents
- Reduces damage
- Saves repair costs
- Easy to assemble, modular design
- Lightweight
- Easy to replace if damaged
- Fits GL and GLB crane types
- Reduced risk/cost for shipowner



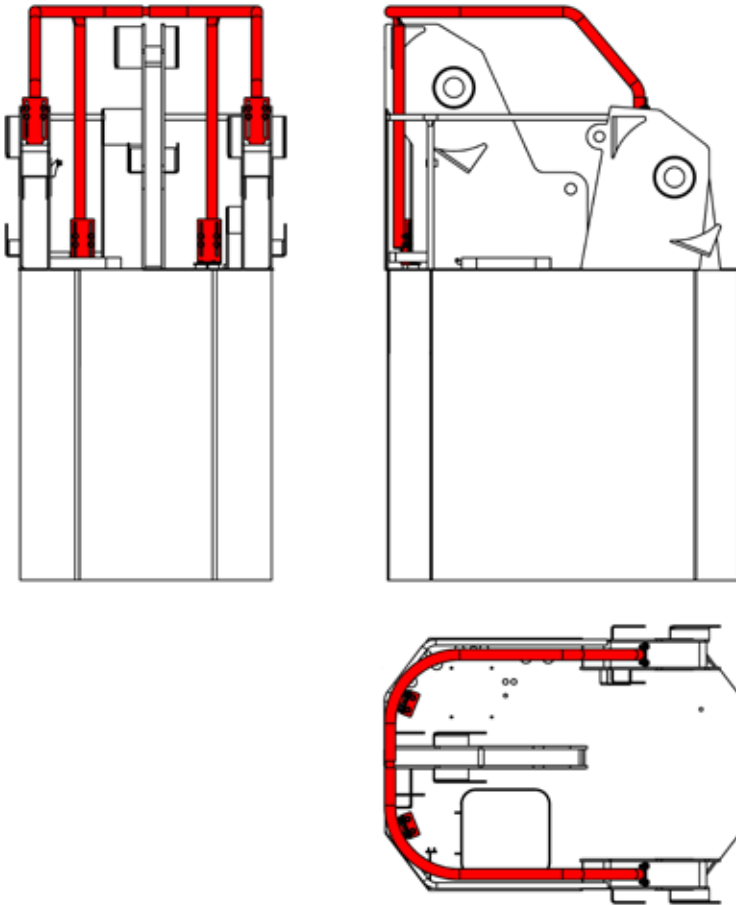
At your service



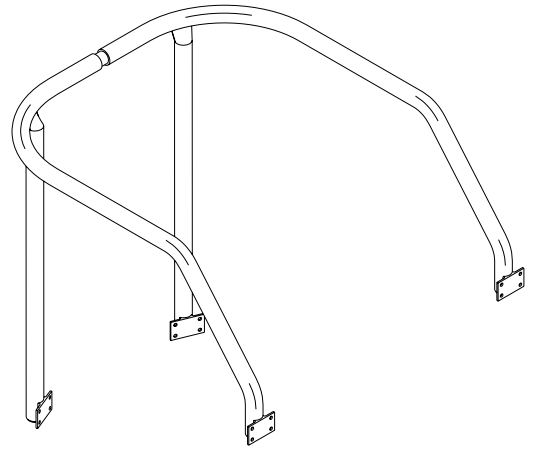
MACGREGOR

Designed to perform with the sea

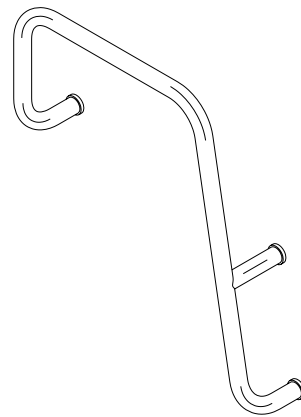
Principle, Design A



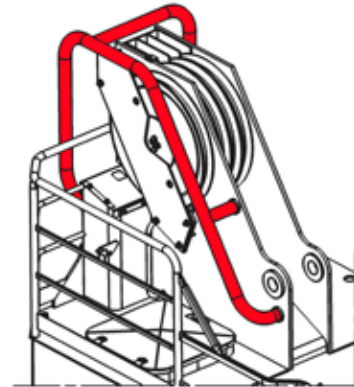
Design A



Design B



Design C



Ordering information

- 189 2536-801 Protection cage, Design A (weight 155kg)
- 289 0570-801 Protection cage, Design B (weight 55kg)
- 289 5803-801 Protection cage GLB, design C

Installation requirements

- Personnel required: an engineer
- Installation time: approximately 4 to 6 hours/crane
- Tools: standard hand tools and welding equipment for brackets

MacGregor solutions and services for handling marine cargoes, vessel operations, offshore loads, crude/LNG transfer and offshore mooring are all *designed to perform with the sea.*

MacGregor is part of Cargotec (Nasdaq Helsinki: CGCBV).

Published by MacGregor. Copyright © MacGregor January 2018. All rights reserved. No part of this publication may be reproduced, stored, photocopied, recorded or transmitted without permission of the copyright owner.