



# Bulker Cranes

Type TLB-e – Electric cranes up to SWL 45t

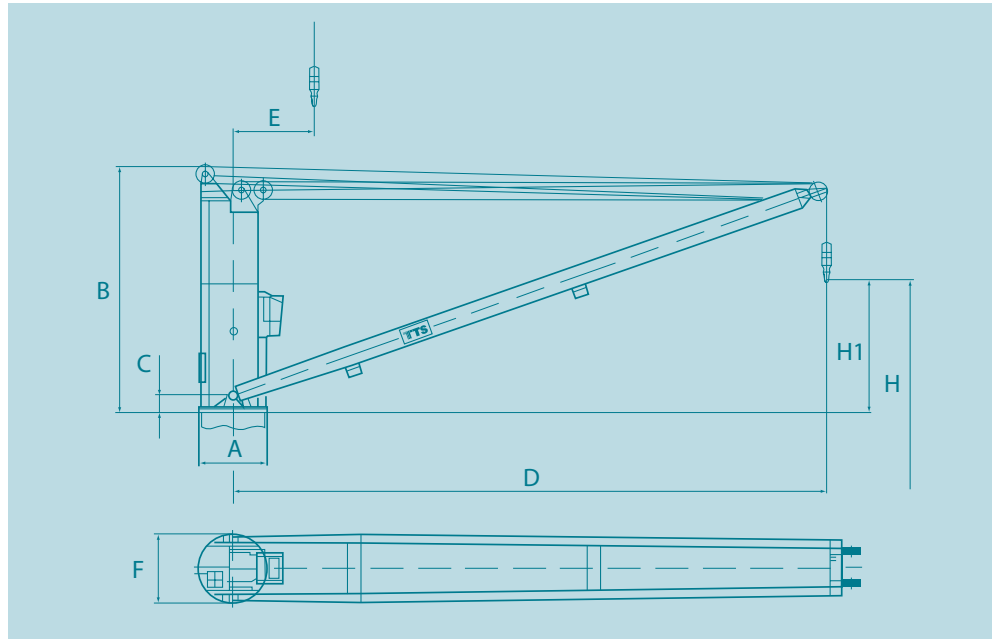


OFFSHORE & HEAVY LIFT

[www.ttsgroup.com](http://www.ttsgroup.com)

Based on the successful TLB design, the TLB-e is one of the latest developments in the TTS crane portfolio. Part of the TTS e-line, all major parts of the TLB-e crane – hoisting and luffing winch, as well as slewing motors – are electrically driven.

**Capacity:** SWL 30–45t  
**Operation:** Bulk Carrier



The TLB-e crane offers improved energy efficiency compared to conventional, hydraulically driven cranes resulting in lower operational costs.

The electric drive system replaces hydraulic oil as well as all major hydraulic

components such as filters and hoses.

In addition the energy from the ship's generator needs no transformation into hydraulic pressure to operate the crane. Further, the TLB-e needs no permanent basic

hydraulic pressure, which ensures that energy is only consumed when the crane moves.

The TLB-e achieves high cycle times, at a reduced noise level, and is easy to operate thanks to its standard controller.

#### Additional features:

- Air conditioning system in driver's cabin
- Anti-collision system
- Remote maintenance system

### Exemplary data for type TLB-e

CRANES			PERFORMANCE			MAIN DIMENSIONS								
SWL	Outreach		Hoist speed	Luffing time	Slew speed	Power consumption	A	B	C	D	E	F	H1	H
t	max.(m)	min.(m)	m/min	sec	rpm	KW	(m)	(m)	(m)	(m)	(m)	(m)	(m)	(m)
30	26	3.6	22/45	56	1.27	160	3.2	9.77	0.75	26	3.6	2.8	4.5	45
30	30	4.0	22/45	57	1.06	160	3.2	9.77	0.75	30	4.0	2.8	4.4	45
36	26	3.6	19/40	66	0.90	160	3.2	9.75	0.75	26	3.6	3.2	4.5	45
36	30	4.0	19/40	67	0.90	160	3.2	9.75	0.75	30	4.0	3.2	4.4	45
40	26	3.6	18/40	66	0.90	160	3.2	9.75	0.75	26	3.6	3.2	4.5	47
40	30	4.0	18/40	67	0.90	160	3.2	9.75	0.75	30	4.0	3.2	4.4	47
45	26	3.6	18/40	66	0.90	160	3.2	9.75	0.75	26	3.6	3.2	4.5	47
45	30	4.0	18/40	67	0.90	160	3.2	9.75	0.75	30	4.0	3.2	4.4	47

Outreach and lifting capacity may be customised to specific requirements

TTS NMF GmbH  
 Neuenfelder Fährdeich 120  
 21129 Hamburg  
 Germany  
 Tel. +49 40 55 43 61 500  
 info@nmf-crane.de

www.ttsgroup.com



OFFSHORE & HEAVY LIFT

www.ttsgroup.com